

Macro Station

The versatile video workstation for image documentation & spot-check inspections



The MA Station is equipped with a high resolution 10x zoom lens, providing a magnification range of 6 to 60 times. The zoom setting and the aperture can be locked, ensuring reproducible setup with high depth of field. The effective LED ring illumination cares for a shade free and uniform illumination.

Three cameras, one better than the other

HDMI - Storage & Measuring -

New: Autofocus

The new FULL HD camera HD3036 save pictures and video clips are saved on an SD card and can later be used at the computer. The camera owns comfortable functions like browser, half picture split and crosshairs, measuring functions.

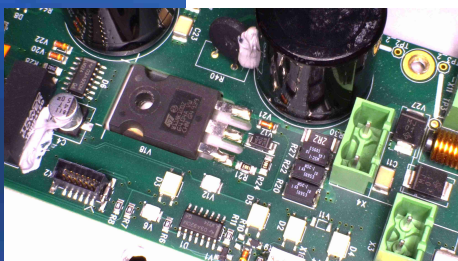
HDMI - PURE -

The STC-133 camera is connected directly to an LCD Monitor. The camera provides a brilliant HD-quality image at 60 images per second.

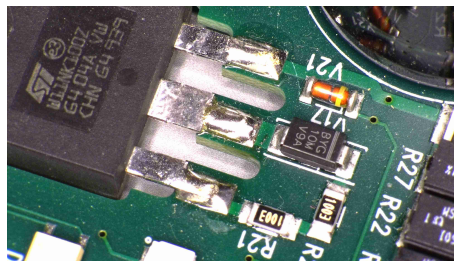
For both systems: - supplied with a 23" LCD monitor
- no computer is needed

USB - Computer Version -

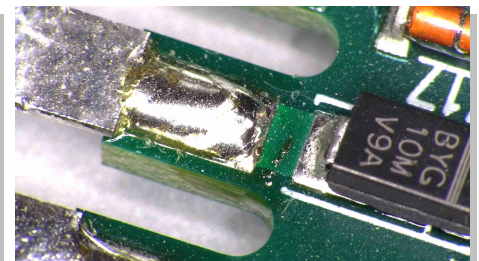
A USB camera visualises the live image on the computer. The software VIS allows image data to be documented and measured in a few easy steps. All necessary components are included in the delivery package, except for the computer.



6x



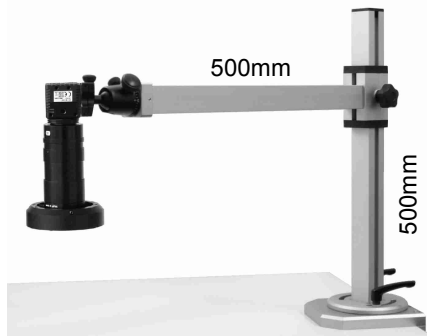
30x



60x

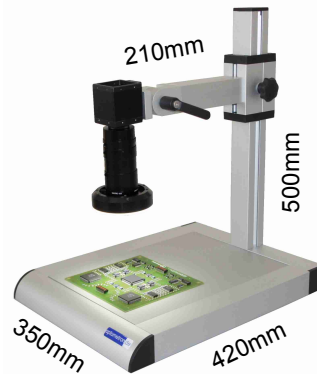
Many requirements - many solutions

Our stands simplify the handling of different test samples and are flexible prepared for the respective task definition.



Stand SAL-MAXI

Camera head maximum rotatable by ball joint
Stand cantilever swivelling 90°
Vertically adjustable
Very sturdy clamping
no addiction to vibrations



Stand SAL-ERGO

Camera head rotatable
Vertically adjustable
Sturdy big supporting surface

**Optionally plate with thread matrix
plate for transmitted light
ESD cover for plate**



Stand SAL-LITE

Camera head rotatable
Three hinges
Clamping

Technical data

Zoom lens MHL-10X	10x zoom lens, zoom, aperture and focus manually
Field of view	70,0 x 50,0 mm (6x) to 7,0 x 5,0 mm (60x) , (for 17" diagonal monitor)
Depth of field	75mm at 6x - 5mm at 60x
Working distance	as of 180mm
Stands SAL-ERGO	Profiles and supporting surface from anodised aluminium with ball joint. The horizontal cantilever is swivelling ± 45°
SAL-MAXI	Very sturdy stand with high stiffness (cantilever 500mm) Camera holder with robust ball joint, (clamping width 100mm);
SAL-LITE	Swivel arm stand with outreach up to 700mm, Clamping for table mounting (clamping width 85mm);
LED ring illumination	
Ring light	LR-60/110 white (17000Lux) with diffuser (or lens for more light output)
Controller	NT-I, light output adjustable 0-100%, power supply 90-230VAC
HDMI version	
Camera HD3036	
Camera chip	1/3" colour CMOS chip with 1920 x 1080 pixels, 60 pictures/second,
Storage	Pictures (5 Megapixel), videos (HD) on SD card
Options	- Autofocus - SD Card with WiFi
Camera STC-133	
Camera chip	1/3" colour CCD chip with 1280 x 720 pixels, 60 pictures/second,
LCD monitor	23" LCD monitor 16:9, HDMI and VGA input (PC connection), resolution max.1920 x1080 pixel, brightness 250Cd/m², response time 5ms; (varying types according to availability)
Computer version	
Camera DFC-236	
Camera chip	1/2,8" colour CMOS chip up to 1920 x 1080 pixels, max. 54 FPS, USB 3.0
Software VIS	Picture documentation and measuring for WIN-Vista und WIN-7 / 8 / 10

**Do you have questions?
We gladly advise you competent and demonstrate
the Macro Station at your company**